

Modelarea unei flanșe în 3D

Command : **LIMITS**

Specify lower left corner or [ON/OFF] < 0.0000,0.0000>: **Enter**

Specify upper right corner < 12.0000,9.0000> : **210,290**

Command : **ZOOM**

[All/Center/Dynamic/Extents/Previous/Scale/Window/Object] <real time>:

All

Command : **CIRCLE**

Specify center point for circle or [3P/2P/Ttr(tan,tan,radius)] : **0,0**

Specify radius of circle or [Diameter] : **75**

Command : **CIRCLE**

Specify center point for circle or [3P/2P/Ttr(tan,tan,radius)] : **-50,0**

Specify radius of circle or [Diameter] : **10**

Command : **ARRAY**

Enter the type of array [Rectangular/Polar]<R>: **POLAR**

Specify center point of array : **CEN** **se selectează cercul mic**

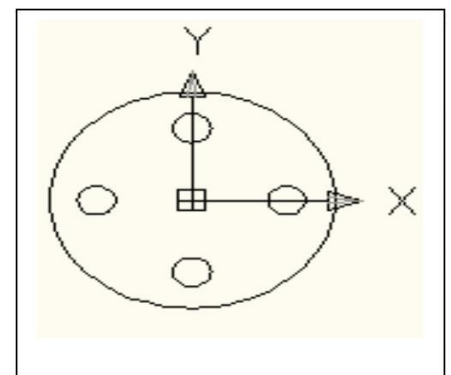
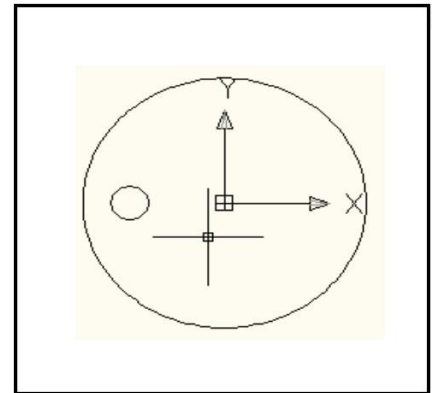
Enter the number of items in the array : **4**

Specify the angle to fill : **360**

Command : **Vpoint**

Current view direction VIEWDIR =0.000 , 0.0000,1.000

Specify view point or [Rotate] <display compass and tripod >: **-1,-1 ,1**



Command : **Extrude**

Select object to extrude : **All** se selecteaza toate cercurile

Select object to extrude : **Enter**

Specify height of extrusion or [Direction/Path/Taper angle] : **20** (se extrag din flanșă volumele celor 4 găuri)

Command : **SUBTRACT**

Select solids and regions to subtract from....

Select objects: se selectează solidul

Select objects: **Enter**

Select solids and regions to subtract...

Select objects: se selectează solidele mici S1,S2,S3,S4

Select objects: **Enter**

Command : **CYLINDER**

Specify center point of base or [3P/2P/Ttr/Elliptical]: **0,0,0**

Specify base radius or [Diameter] : **25**

Specify height or [2Point/Axis endpoint] : **100**

Command : **Enter**

Command : **CYLINDER**

Specify center point of base or [3P/2P/Ttr/Elliptical]: **0,0,0**

Specify base radius or [Diameter] : **15**

Specify height or [2Point/Axis endpoint] : **100**

Se combină solidele create (nu și cilindrul interior)

Command : **Union**

Select objects: se selectează cele 2 solide flanșă și cilindrul vertical exterior

Select objects: **Enter**

Command : **SUBTRACT**

Select solids and regions to subtract from....

Select objects: se selectează flanșă

Select objects: **Enter**

Select solids and regions to subtract...

Select objects: se selectează cilindrul de rază 15

Select objects: **Enter**

